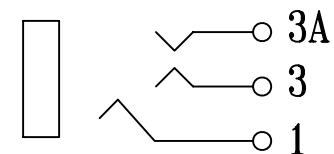
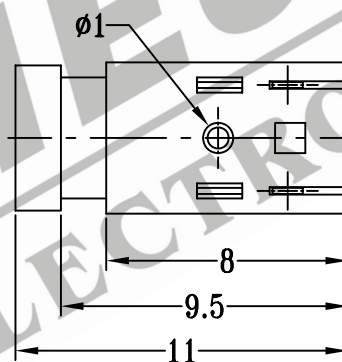
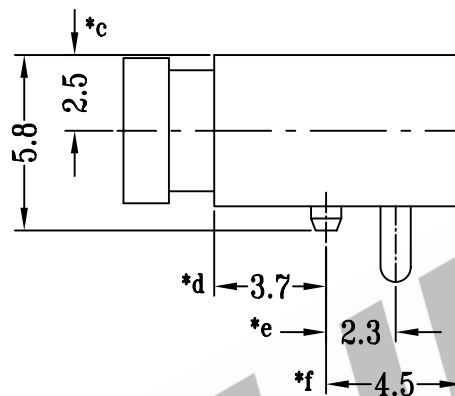
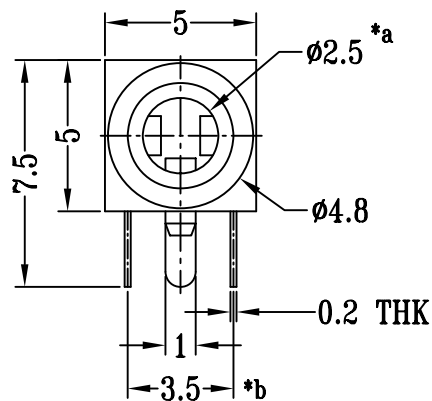
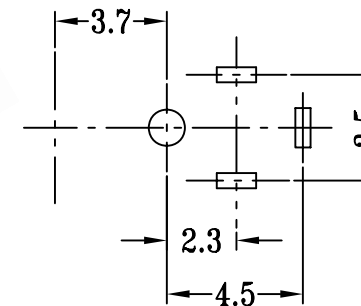


CAD FILE:



SCHEMATIC



P.C.B LAYOUT

注:带"\*"表示关键尺寸(6个)

|     |                   |                 |      |                          |   |                                      |      |                          |           |           |
|-----|-------------------|-----------------|------|--------------------------|---|--------------------------------------|------|--------------------------|-----------|-----------|
| 8   |                   |                 |      |                          | TOLERANCE                               | SHENZHEN XIEJIA ELECTRONICS CO.,LTD. |      |                          |           |           |
| 7   |                   |                 |      |                          | UNLESS SPECIFIED                        |                                      |      |                          |           |           |
| 6   |                   |                 |      |                          | WITHIN: 1.5±0.1mm                       |                                      |      |                          |           |           |
| 5   | SOCKET            | BRASS           | 1    | Ni PLATED                | OVER : 1.5±0.2mm                        | ISSUE                                | DATE | DESCRIPTIONS OF REVISION |           | APPD.     |
| 4   | CASE              | PC              | 1    | BLACK                    | TITLE : PHONE JACK                      | UNIT : mm                            |      | DRWG NO.: XJ-DR-ST003-00 |           |           |
| 3   | SPRING TERMINAL C | PBS STRIP       | 1    | Ag PLATED OVER Ni PLATED |   | MODEL: ST-003                        |      | SCALE: 4:1               | DWN.      | ZHOUYU    |
| 2   | SPRING TERMINAL B | PBS STRIP       | 1    | Ag PLATED OVER Ni PLATED | ALL MATERIALS MUST BE COMPLIANT TO ROHS |                                      |      | CHK'D                    | FANGYING  | 2004-9-26 |
| 1   | SPRING TERMINAL A | STAINLESS STEEL | 1    | Ag PLATED OVER Ni PLATED |   |                                      |      | APPD.                    | KANGXINAN | 2004-9-26 |
| NO. | PARTS             | MATERIALS       | Q'TY | FINISH                   |   |                                      |      |                          |           |           |